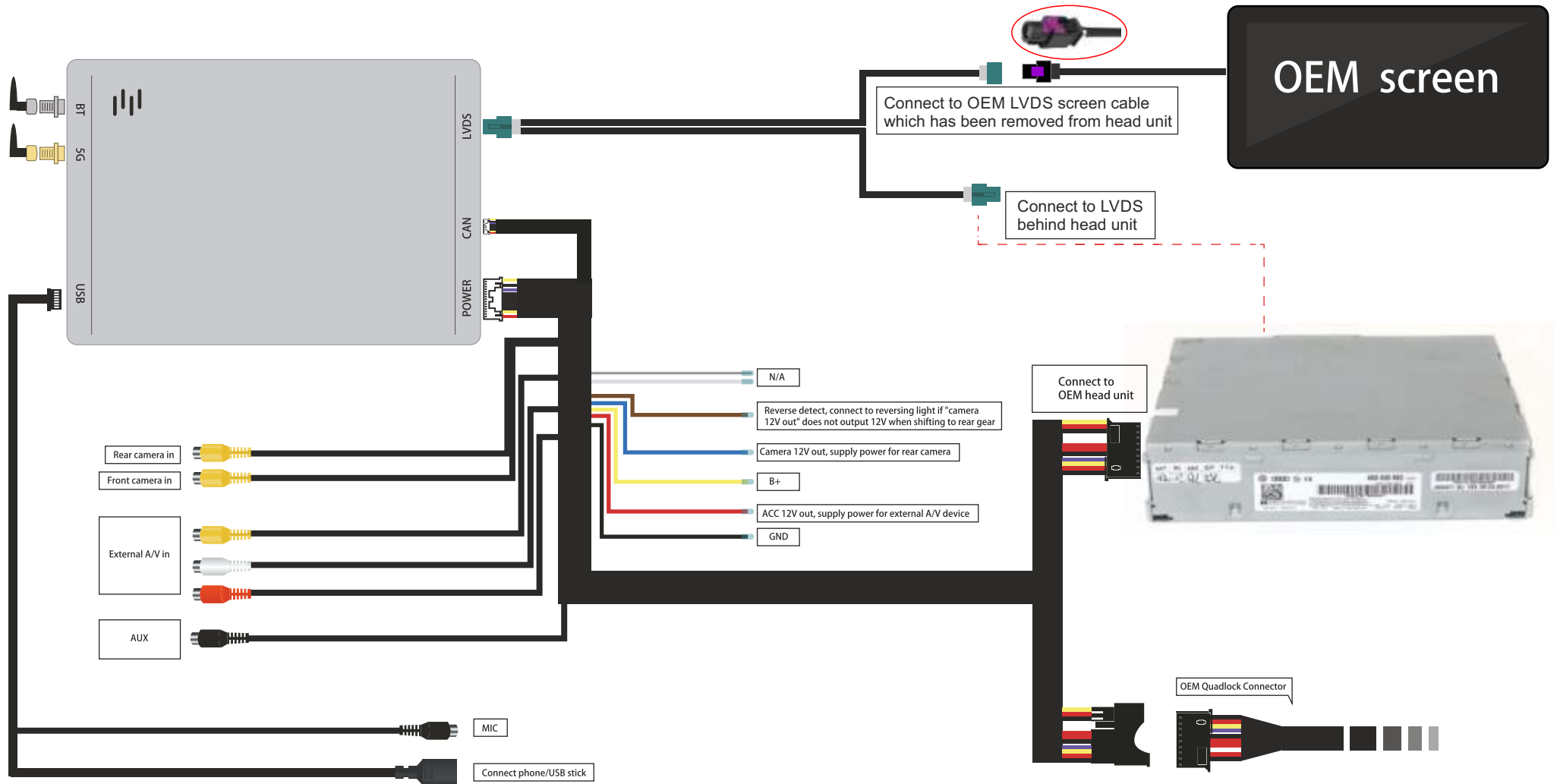
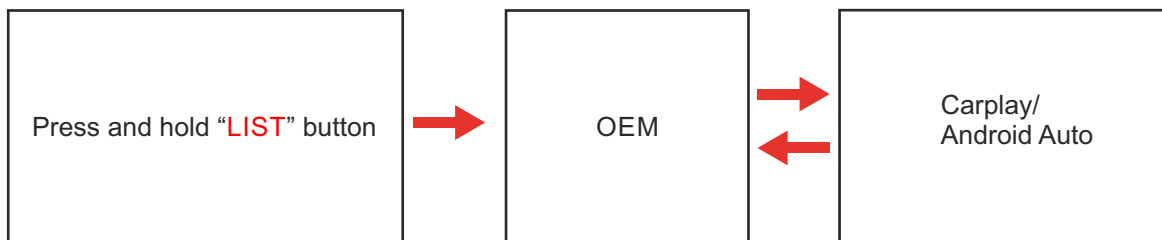


CONNECTION DIAGRAM

Art. 300 529



How to switch



DIP setting:

